

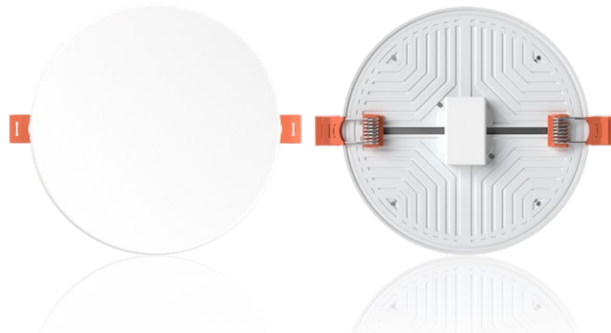


ZHONGSHAN XILE OPTOELECTRONIC TECHNOLOGY CO.,LTD.



Details

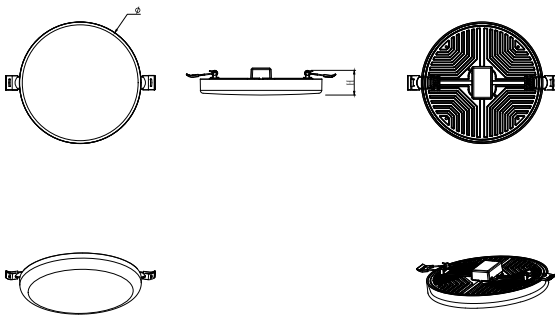
Datasheet- Small Panel Light Typhon Series



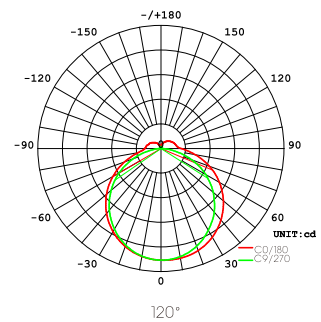
PARAMETERS:

| ModelNo | XLRPR-10W | XLRPR-15W | XLRPR-22W | XLRPR-32W |
|---------------|---------------|---------------|----------------|----------------|
| Power | 10W | 15W | 22W | 32W |
| CCT | WW/NW/PW | | | |
| Power Factor | 0.5/0.9 | | | |
| CRI | 70/80 | | | |
| Beam Angle | 120° | | | |
| LED | SMD2835*66*2 | SMD2835*96*2 | SMD2835*144*2 | SMD2835*255*2 |
| Diameter(mm) | Φ100*15 | Φ120*15 | Φ170*15 | Φ220*15 |
| Hole size(mm) | 50MM<CUT<70MM | 50MM<CUT<95MM | 50MM<CUT<140MM | 50MM<CUT<190MM |

DIMENSIONS



LIGHTING DISTRIBUTIONS



EXPLODE



APPLICATIONS

